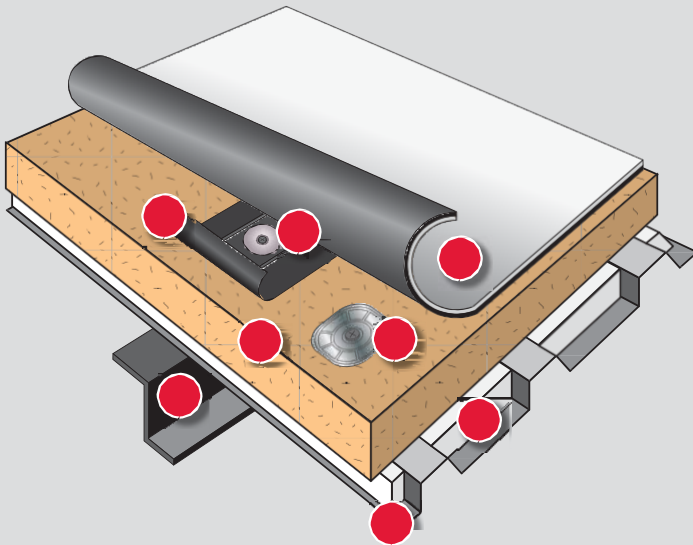


## Metal Retrofit Roofing System



### Typical Application

-  VersiWeld Membrane
-  10"-wide RUS™ (Reinforced Universal Securement Strip)
-  Versico Purlin Fasteners
-  HPV or HPVX Fasteners
-  Acceptable Insulation
-  Flute Filter
-  Existing Metal Roof
-  Structural Purlin

Colors	White, Gray and Tan
Standard Thicknesses	45-, 60- and 80-mil
Standard Widths	12'
Standard Lengths	100'

### System Features and Benefits

- 45-, 60-, and 80-mil membrane thicknesses
- White, gray, and tan colors available
- Adds additional insulating value
- Heat-weldable seams
- Roofing membrane is ENERGY STAR® qualified, CRRC rated and can contribute to LEED® requirements
- High wind uplift performance
- Industry-leading OctaGuard XT™ Weathering Package provides improved weatherability, durability, and long-term rooftop performance

### VersiWeld TPO Membrane

Verisco's VersiWeld TPO is a premium, heat-weldable, single-ply thermoplastic polyolefin membrane, engineered to provide outstanding long-term performance in new roof construction and re-roofing applications. All VersiWeld TPO membranes utilize the patented OctaGuard XT weathering package technology, which is able to withstand extreme durability testing intended to simulate exposure to several climates.

### VersiWeld TPO Accessories

Verisco also offers over a dozen prefabricated, in-stock, standard-order accessories, and countless custom-order accessories. All carry a CFA (Certified Fabricated Accessory) stamp of approval, so you know they are manufactured to the highest standards. Every Versico CFA-approved accessory saves time and money during installation.





### Installation

An acceptable insulation is used to fill the metal deck flutes. A subsequent layer of insulation or coverboard is then installed and secured to the metal roof with HPV or HPVX Fasteners and insulation plates.

### Metal Retrofit Mechanically Attached Roofing System

10" wide TPO Pressure-Sensitive RUSS strips are attached through the insulation (underlayment) to the purlins with Versico Purlin Fasteners. VersiWeld reinforced TPO membrane is primed and then adhered to the RUSS strips. Adjoining membrane sheets are hot-air welded together using an approved auto hot-air welder. Purlin Fasteners can be used in place of RUSS and primer.

### System Codes

- UL Class A, B and Unlimited Slope ratings are available
- Meets FM Loss Prevention Data Sheet 1-31.
- For code specifics, refer to Versico's Code Approval Guide.

### Quality Assurance

Versico Authorized Contractors have received training to install Versico's Metal Retrofit Roofing Systems.

### Inspection

Upon installation completion, and prior to the issuance of a membrane system warranty, an inspection will be conducted by a Versico Field Service Representative.

### Warranty

Consult your Authorized Contractor, Versico Independent Sales Representative or Distributor for associated warranty charges.

This system, properly installed and inspected on a commercial project, may receive:

- A 10-, 15-, or 20-year Total System Warranty when all materials used for the roofing installation are manufactured or marketed by Versico. A maximum peak gust wind speed coverage of 55 miles per hour is standard



	Mechanically Attached	Fully Adhered
	Flutes of Existing Metal Roof are Filled with an Acceptable Insulation	
Flute Filler Attached By	Insulation is loose-laid into flutes	
	Approved insulation is then laid over Flute Filler	
Insulation Attached By	Insulation Attached By Insulation is mechanically attached into existing metal with Insultite, HPV or HPVX Fasteners	
Membrane Attached By	Purlin Fasteners and HPVX Plates used to attach 10" TPO Pressure-Sensitive RUSS Strip into existing purlins	Purlin Fasteners and Rhinobond Plates

**Contact Universal Restoration and Roofing (URR) LLC for more information Phone: 1.855.210.7005 | 1.470.798.8964**